



**PRODUCT CHANGE NOTIFICATION**

Date: April 20, 2016  
 PCN: PCN LEDIL 118 a, b

**Subject: PCN 118 a - Change of packaging quantities and packaging type**

Description: As part of our continuous improvement process regarding the logistics LEDiL has changed the packaging quantities of following products. Package type changes from plastic tray to foam tray.

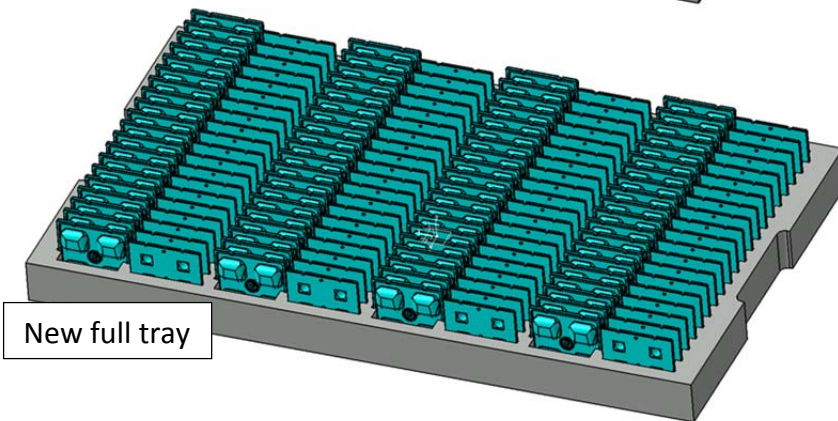
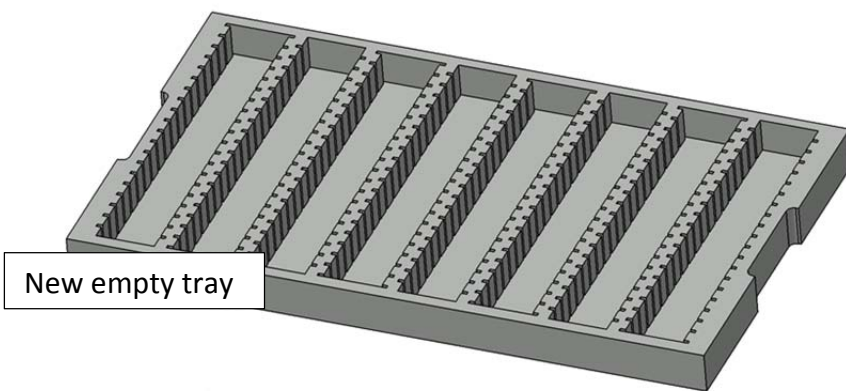
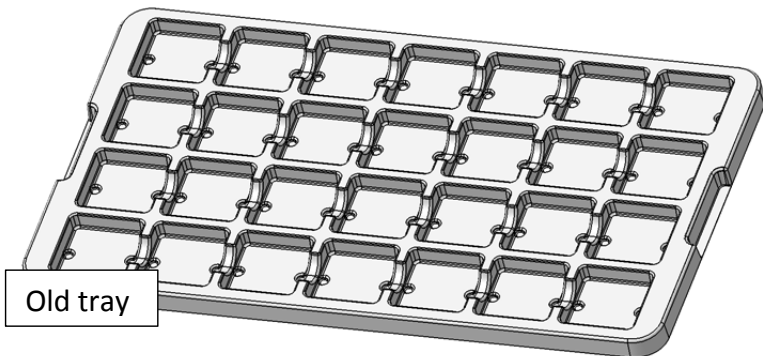
Time line: This change is valid during Q2 2016

Changes:

AFFECTED PRODUCT	Old BOX qty.	Upd. BOX qty.	Old MPQ	Upd. MPQ	Old MOQ	Upd. MOQ	Old Gr2	Upd. Gr2	Old Gr3	Upd. Gr3
C12360_STRADA-2X2-DNW	672	800	28	160	28	160	672	800	10080	10400
C12361_HB-2X2-W	756	800	28	160	28	160	756	800	10584	10400
C12362_STRADA-2X2-DWC	756	800	28	160	28	160	756	800	10584	10400
C12419_STRADA-2X2-A-T	756	800	28	160	28	160	756	800	10584	10400
C13232_HB-2X2-WW	756	800	28	160	28	160	756	800	10584	10400
C13233_HB-2X2-M	756	800	28	160	28	160	756	800	10584	10400
C13237_HB-2X2-WW-BLIND	756	800	28	160	28	160	756	800	10584	10400
C13239_HB-2X2-M-BLIND	756	800	28	160	28	160	756	800	10584	10400
C13299_STRADA-2X2-ME	756	800	28	160	28	160	756	800	10584	10400
C13300_STRADA-2X2-T2	756	800	28	160	28	160	756	800	10584	10400
C13301_STRADA-2X2-T3	756	800	28	160	28	160	756	800	10584	10400
C13499_STRADA-2X2-CY	756	800	28	160	28	160	756	800	10584	10400
C13604_STRADA-2X2-FN	756	800	28	160	28	160	756	800	10584	10400
C13605_HB-2X2-RW	756	800	28	160	28	160	756	800	10584	10400
C13699_STRADA-2X2-DN	756	800	28	160	28	160	756	800	10584	10400
C13749_HB-2X2-O	616	800	28	160	28	160	616	800	10472	10400
C13805_STRADA-2X2-T4	756	800	28	160	28	160	756	800	10584	10400
C13858_STRADA-2X2-XW	756	800	28	160	28	160	756	800	10584	10400
C13936_STRADA-2X2-B2-STP	756	800	28	160	28	160	756	800	10584	10400
C13937_STRADA-2X2-C-STP	756	800	28	160	28	160	756	800	10584	10400
C14109_STRADA-2X2-NHS	616	800	28	160	28	160	616	800	10472	10400
C14116_STRADA-2X2-PX	616	800	28	160	28	160	616	800	10472	10400
C14164_STRADA-2X2-ME-WIDE1	616	800	28	160	28	160	616	800	10472	10400
C14165_STRADA-2X2-ME-WIDE2	616	800	28	160	28	160	616	800	10472	10400
C14515_STRADA-2X2-ME	756	800	28	160	28	160	756	800	10584	10400
C14517_STRADA-2X2-DWC	756	800	28	160	28	160	756	800	10584	10400
C14541_HB-2X2-RS	616	800	28	160	28	160	616	800	10472	10400



C14556_STRADA-2X2-TF	616	<b>800</b>	28	<b>160</b>	28	<b>160</b>	616	<b>800</b>	10472	<b>10400</b>
C14605_HB-2X2-RW	756	<b>800</b>	28	<b>160</b>	28	<b>160</b>	756	<b>800</b>	10584	<b>10400</b>
C14606_HB-2X2-WW	756	<b>800</b>	28	<b>160</b>	28	<b>160</b>	756	<b>800</b>	10584	<b>10400</b>
C14607_HB-2X2-M	756	<b>800</b>	28	<b>160</b>	28	<b>160</b>	756	<b>800</b>	10584	<b>10400</b>
C14680_STRADA-2X2-VSM	616	<b>800</b>	28	<b>160</b>	28	<b>160</b>	616	<b>800</b>	10472	<b>10400</b>
C14724_HB-2X2-WWW	616	<b>800</b>	28	<b>160</b>	28	<b>160</b>	616	<b>800</b>	10472	<b>10400</b>
C14750_STRADA-2X2-CAT	616	<b>800</b>	28	<b>160</b>	28	<b>160</b>	616	<b>800</b>	10472	<b>10400</b>
C14896_STRADA-2X2-PXL	616	<b>800</b>	28	<b>160</b>	28	<b>160</b>	616	<b>800</b>	10472	<b>10400</b>
C15014_STRADA-2X2-T4-B	644	<b>800</b>	28	<b>160</b>	28	<b>160</b>	644	<b>800</b>	10304	<b>10400</b>
C15021_STRADA-2X2-SCL	616	<b>800</b>	28	<b>160</b>	28	<b>160</b>	616	<b>800</b>	10472	<b>10400</b>
C15135_STRADA-2X2-T1	616	<b>800</b>	28	<b>160</b>	28	<b>160</b>	756	<b>800</b>	10584	<b>10400</b>
C15034_STRADELLA-8-T2	616	<b>800</b>	28	<b>160</b>	28	<b>160</b>	616	<b>800</b>	10472	<b>10400</b>
C15035_STRADELLA-8-T3	616	<b>800</b>	28	<b>160</b>	28	<b>160</b>	616	<b>800</b>	10472	<b>10400</b>
C15183_STRADELLA-8-HB-S	616	<b>800</b>	28	<b>160</b>	28	<b>160</b>	616	<b>800</b>	10472	<b>10400</b>
C15184_STRADELLA-8-HB-M	616	<b>800</b>	28	<b>160</b>	28	<b>160</b>	616	<b>800</b>	10472	<b>10400</b>
C15185_STRADELLA-8-HB-W	616	<b>800</b>	28	<b>160</b>	28	<b>160</b>	616	<b>800</b>	10472	<b>10400</b>
C15058_STRADELLA-9-AT	616	<b>800</b>	28	<b>160</b>	28	<b>160</b>	616	<b>800</b>	10472	<b>10400</b>



Tray size: 465x268x30 mm  
Quantity on tray: 160 pieces  
Quantity in box: 800 pieces  
Box size: 480x280x300 mm  
Full tray is covered with plastic shrink film.



**Subject:** PCN 118 b - Change of packaging quantities

**Description:** As part of our continuous improvement process regarding the logistics LEDiL has changed the packaging quantities of following products.

**Time line:** This change is valid immediately

**Changes:**

AFFECTED PRODUCT	Old BOX qty.	Upd. BOX qty.	Old MPQ	Upd. MPQ	Old MOQ	Upd. MOQ	Old Gr2	Upd. Gr2	Old Gr3	Upd. Gr3
F13671_ANGE-RZ-LENS	1260	<b>2000</b>	60	<b>60</b>	60	<b>60</b>		<b>2000</b>		<b>10000</b>
CA14557_REBECCA-RGB-WW	320	<b>288</b>	32	<b>32</b>	96	<b>96</b>	320	<b>288</b>	10240	<b>10080</b>
CP12632_LAURA-D-PG	1440	<b>1960</b>	360	<b>98</b>	360	<b>392</b>	1440	<b>1960</b>	10080	<b>11760</b>
CP12633_LAURA-M-PG	1440	<b>1960</b>	360	<b>98</b>	360	<b>392</b>	1440	<b>1960</b>	10080	<b>11760</b>
CP12637_LAURA-WW-PG	1440	<b>1960</b>	360	<b>98</b>	360	<b>392</b>	1440	<b>1960</b>	10080	<b>11760</b>
C14735_FLORENTINA-2X2-HLD	84	<b>88</b>	84	<b>88</b>	24	<b>24</b>		<b>88</b>		<b>10032</b>
C14734_FLORENTINA-2X2-SHD	252	<b>248</b>	1	<b>1</b>	24	<b>24</b>		<b>248</b>		<b>10168</b>
CA13315_LXP2-LH1-TAPE-BLK	1440	<b>1440</b>	224	<b>180</b>				<b>1440</b>		<b>10080</b>
C12366_LENA-STD-BASE-CL340-BLK	60	<b>360</b>	60	<b>18</b>	60	<b>54</b>		<b>360</b>		<b>10080</b>
C13088_LENA-STD-BASE-E30	60	<b>360</b>	60	<b>18</b>	60	<b>54</b>		<b>360</b>		<b>10080</b>
C13083_PF-SOCKET	336	<b>4608</b>	28	<b>32</b>	112	<b>128</b>		<b>4608</b>		<b>13824</b>
C13761_PF-SOCKET-CXA15	336	<b>4608</b>	28	<b>32</b>	112	<b>128</b>		<b>4608</b>		<b>13824</b>

**Contact information:** Tero Mäkinen  
LEDIL Oy  
Salorankatu 10  
24240 SALO, FINLAND  
tero.makinen@ledil.com