



PRODUCT CHANGE NOTIFICATION

Date: September 6th 2012

PCN: PCN LEDIL055

Subject: Tape shape change for products:

FA11208_TINA-RS
FA11205_TINA-D
FA11206_TINA-M
FA11204_TINA-O
FA11207_TINA-W
FA11027_TINA-WW

FA12205_TINA-RS
FA12578_TINA-D
FA12579_TINA-M
FA12580_TINA-O
FA12581_TINA-W

FA12038_TINA-RS
FA12040_TINA-M
FA12310_TINA-D
FA13006_TINA-O

FA11212_TINA-RS
FA11209_TINA-D
FA11210_TINA-M
FA11203_TINA-O
FA11211_TINA-W



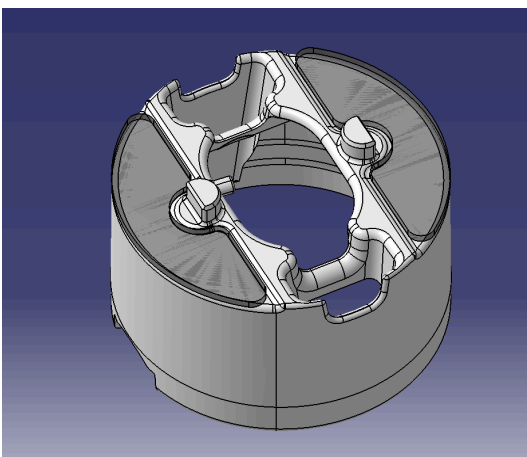
Description: As part of our continuous improvement process regarding logistics & shipments LEDiL has decided to change the tape shape of TINA assemblies mentioned above.

Shape will be changed from a semicircle shaped tape to a complete circle shaped tape.

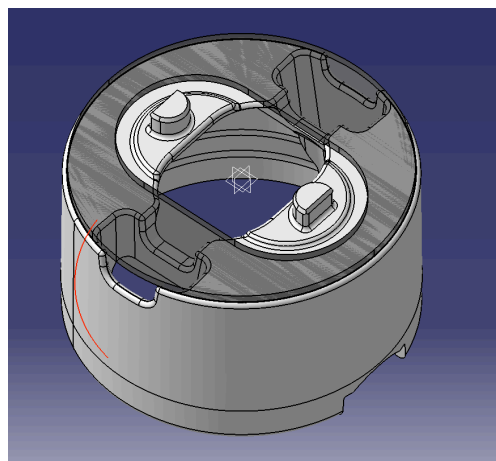
This change does not affect to optical or mechanical performance.

Time line: This product notification will be valid after the current stock is used, latest on August 2013.

Contact information: Sampsa Nurmi
LEDIL Oy
Salorankatu 10
24240 SALO
FINLAND
sampsanurmi@ledil.com



OLD SHAPE



NEW SHAPE