

D

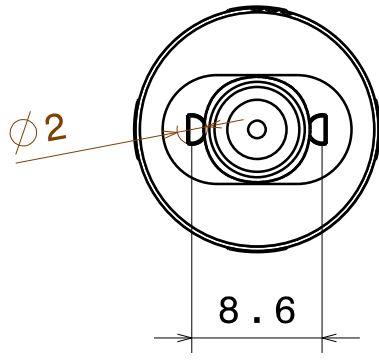
C

B

A

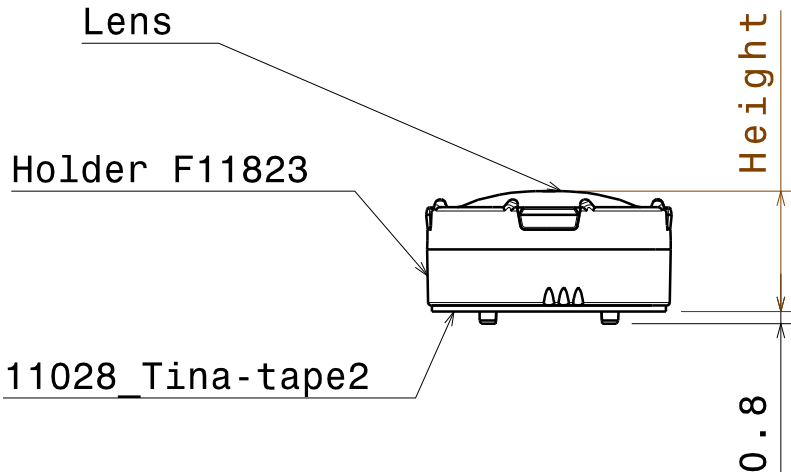
4

4



3

3



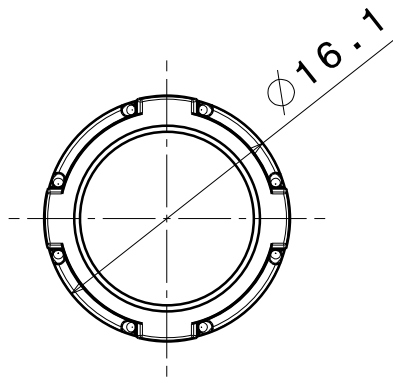
Height:
S:11.36
W:7.95
WW:7.1
WWW:6.9

2

2

MATERIALS
Lens: PMMA
Holder: PC
Tape: PU Foam

Part no.s:
FA11905_Tina3-S-XM
FA11902_Tina3-W-XM
FA11903_Tina3-WW-XM
FA11904_Tina3-WWW-XM



This drawing is our property.
It can't be reproduced
or communicated without
our written agreement.



Ledil Oy
Tehdaskatu 13
FIN-24100 SALO
Finland

DRAWING TITLE

Datasheet Tina3-series Assy XM

DRAWN BY
ah

DATE
18.05.2011

CHECKED BY
ah

DATE
18.5.2011

SIZE
A4

DRAWING NUMBER
-

REV
1

DESIGNED BY
pv

DATE
13.10.2010

SCALE 2:1

WEIGHT(g) -

SHEET 1/1

D

A

1

1