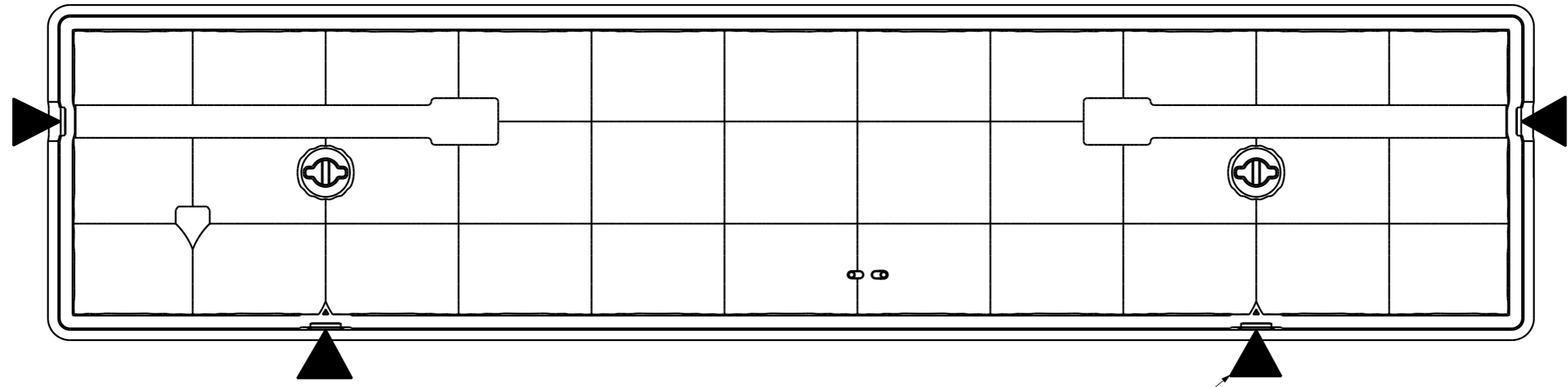


H G F E D C B A

4

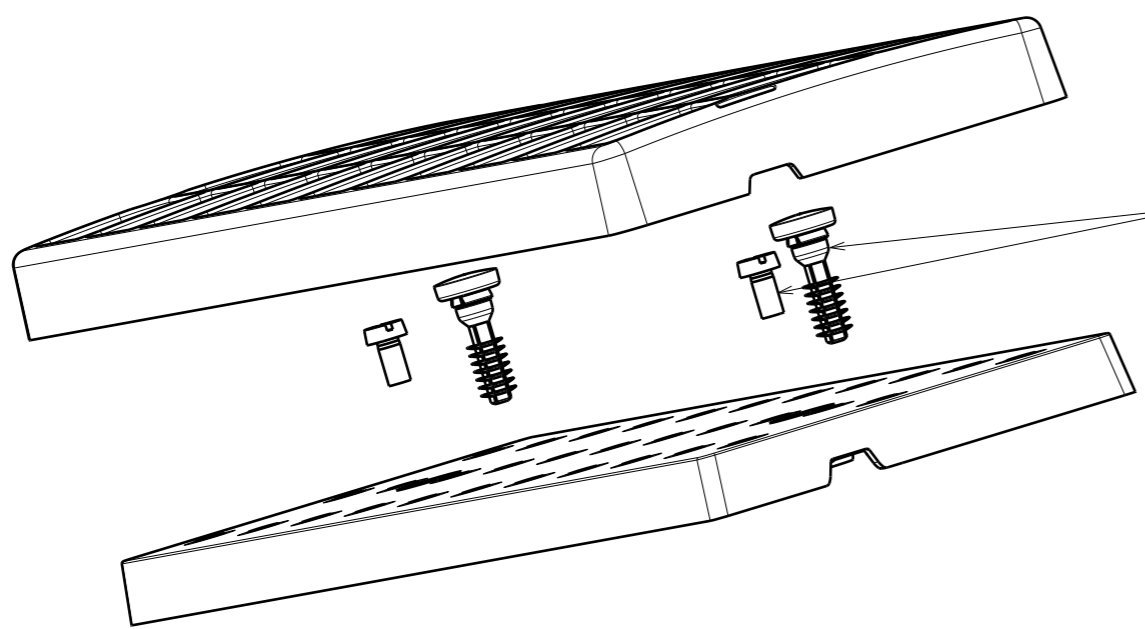
4



Snap fastening between glare shield and lens in four places

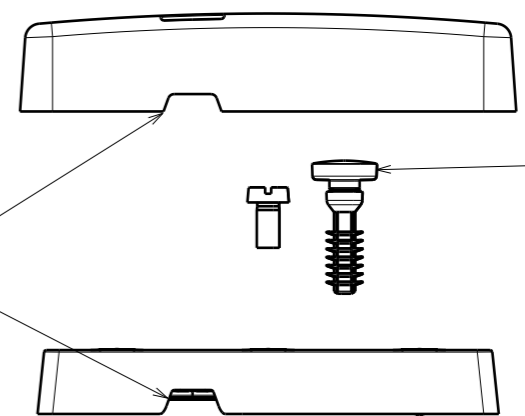
3

3



Note: Lens must be fastened to PCB prior to attaching glare shield

Align these cut-outs for correct assembly



C14437 PF-screw for Florence-3R

For screw fastening: Maximum torque: 0,6 Nm  
Screw requirements: FLORENCE-3R lens attachment screws are of type M4. (DIN 7985, ISO 7045/ISO 14583 TX)  
Countersunk screw is not allowed.

Assembly instructions:

Fasten lens to PCB using screws or press-fit screws. Using cut-outs in lens and glare shield for correct alignment, press glare shield against lens until all four snaps fasten it into place.

It is recommended to check if any of the fastening snaps is not grabbing the lens properly.

2

2

1

1

H G B A

Tolerances if not otherwise shown According to DIN ISO 2768-1 Linear measures: class M According to DIN ISO 2768-2 Form and position: class L		<b>LEDiL</b> LediL Oy Salorankatu 10 FIN 24240 SALO Finland	
THIRD ANGLE PROJECTION:		DRAWING TITLE <b>FLORENCE-3R_SHD_MECH_ASSEMBLY</b>	
This drawing is the property of LEDiL Oy. It may not be reproduced, copied or communicated without a written agreement with LEDiL Oy.		SIZE <b>A3</b>	PART NUMBER -
		SCALE 1:1	WEIGHT -
		SHEET 1/1	