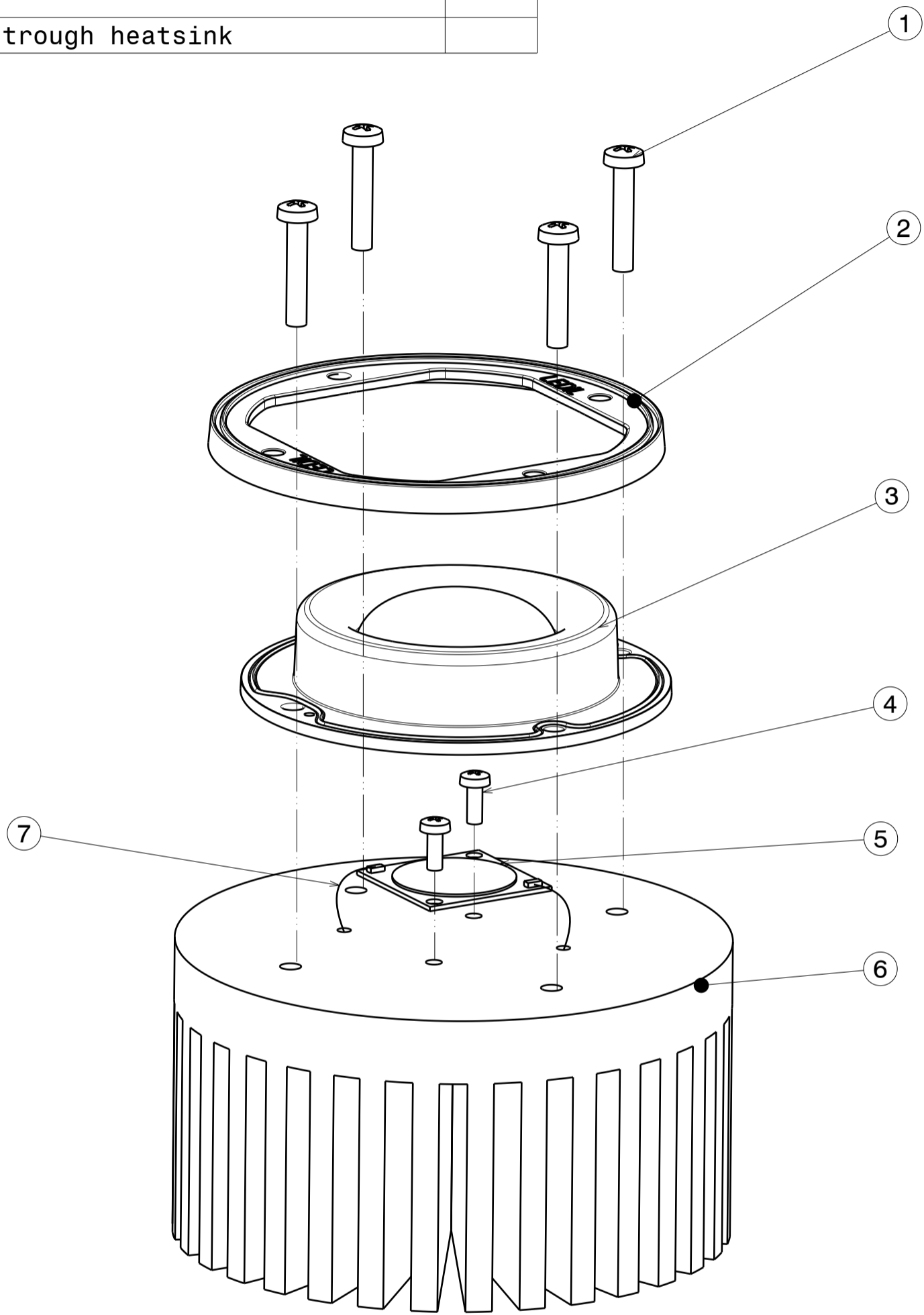

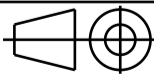


1	M4 Flathead for fastening Stella-XX	
2	Stella Frame	
3	Stella-XX lens	
4	LED mounting (use M2.5)	
5	CoB LED	
6	Heatsink	
7	LED wires trough heatsink	



Apply thermal paste under the LED before fastening.
Patch wires through the heat sink.
Fasten M4 screws with 0,4Nm torque.

		 Ledil Oy Salorankatu 10 FIN 24240 SALO Finland	
THIRD ANGLE PROJECTION: 		DRAWING TITLE Stella-XX assembly instructions	
		SIZE A3	PART NUMBER
		SCALE 1:1	SHEET 1/1