



# Strada- IP2X6 Installation guide

General information of Strada IP2x6-product assembly. The following instructions should be observed before using product. To ensure reliable assembly, Strada IP2x6 fastening materials (heat sink, screw) need to be suitable for lens attachment.

1. Heat sink machining
2. Screw requirements
3. Assembly
4. Screw fastening

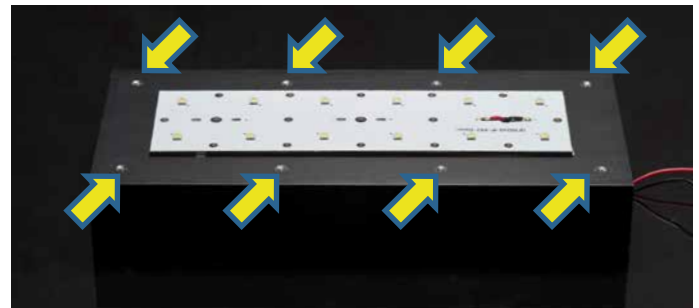
## 1. Heat sink machining

Cable holes and screw thread holes must be done before lens assembly.

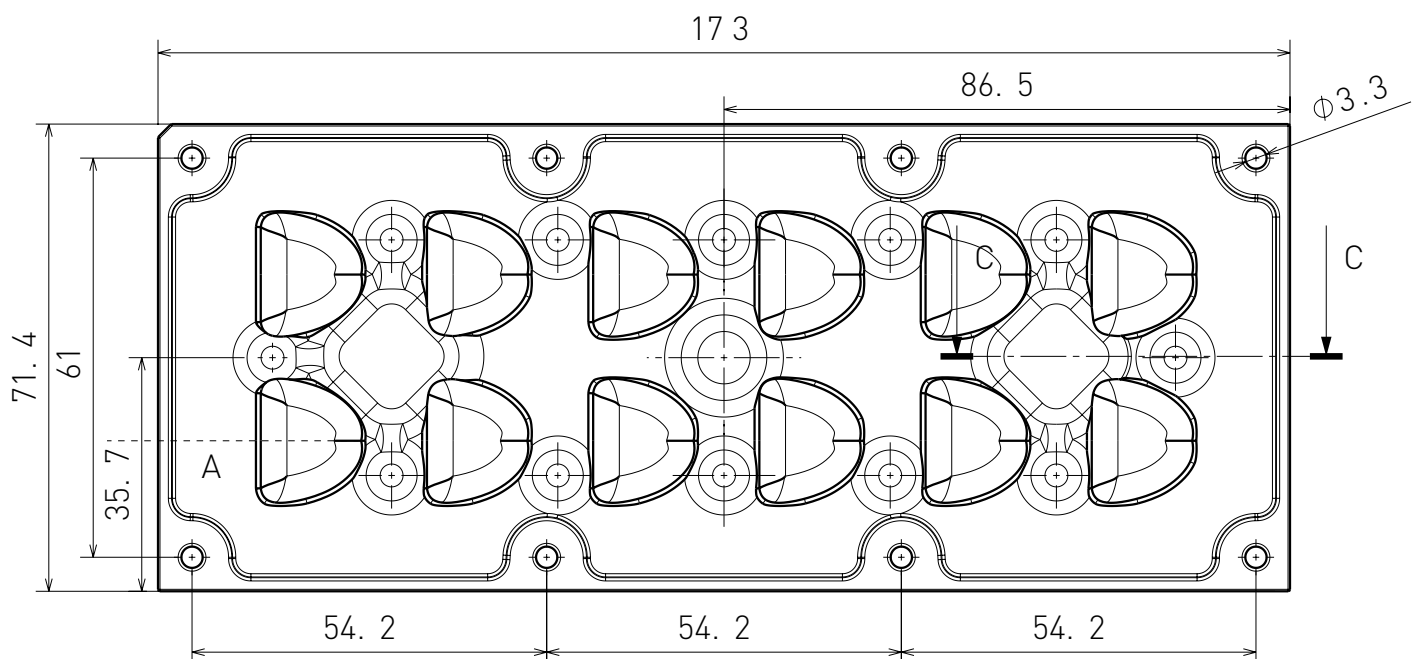
After cable holes and threaded screw holes are machined, ensure that anodized heat sink surface is even. Correct thickness of the PCB is 1.6 mm.

Screw thread hole accuracy is  $\pm 0,1\text{mm}$  (yellow arrow in picture)

Screw vertical straightness tolerance is  $\pm 10, 1\text{mm A}$ .



Top view



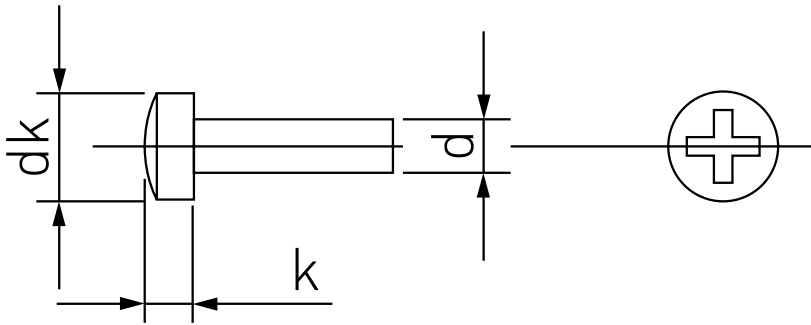


## 2. Screw requirements

STRADA IP2x6 lens attachment screws are of type M3. (DIN 7985, ISO 7045/ISO 14583 TX)

Countersunk screw is not allowed.

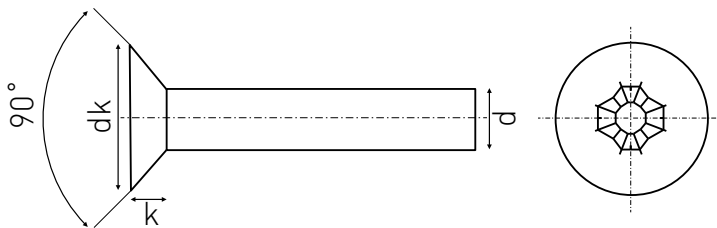
Self-tapping screws are not recommended.



DIN 7985	
Thread Size	M3
dk	6 mm
d	3 mm
k max	2,52 mm
L	4-22 mm

**Please note:** Differing from other STRADA IP2x6 lenses, the **CS14145\_STRADA-IP-2X6-DWC-90** module needs countersunk screws of type M3 (DIN 965) for fastening the PCB to heatsink.

The CS14145\_STRADA-IP-2X6-DWC-90 lens attachment is same with the other STRADA IP2x6 lenses.



DIN 965	
Thread Size	M3
dk	5,6 mm
d	3 mm
k max	1,65 mm
L	4 – 22 mm

### Dear Customer

Please note that LEDiL recommends the use of the M3 nylon washers (DIN 125 / ISO 7089) below fastening screws on our STRADA-IP-2X6 modules to minimize stresses induced by torquing of the screws.

Maximum tightening torque of the screws is 0,6 Nm.

Like all PMMA lenses STRADA-IP-2X6 is also prone to environmental stress cracking. Please make sure that chemicals used in the fixture manufacturing do not cause stress cracking risk with PMMA.



### 3. Assembly order:

- a. heat sink
- b. MCPCB with thermal pad or thermal paste
  - i. Make sure that MCPCB wires come through heat sink hole



### c. Lens/silicon seal

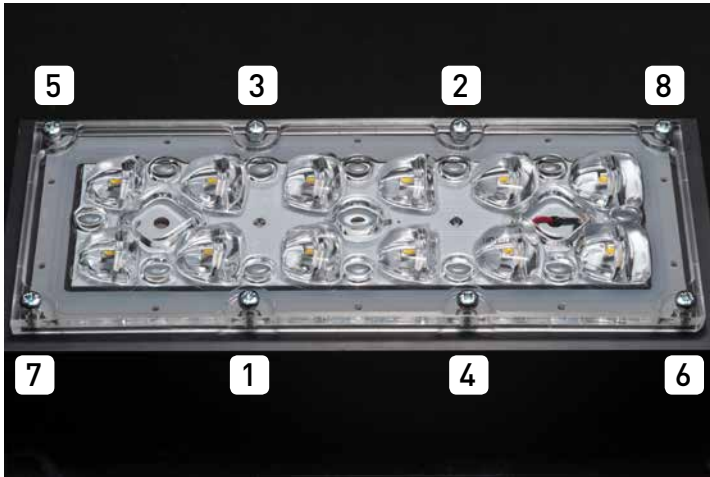
- i. Use lens position pins to align MCPCB.





#### 4. Screw fastening:

- Install all screws before tighten.
- Max torque 0,6Nm
- Tightening order



STRADA-IP-2X6 module alignment (Top view)

90° rotated version  
E.g. STRADA-IP-2X6-DWC-90

Default version  
E.g. STRADA-IP-2X6-DWC

